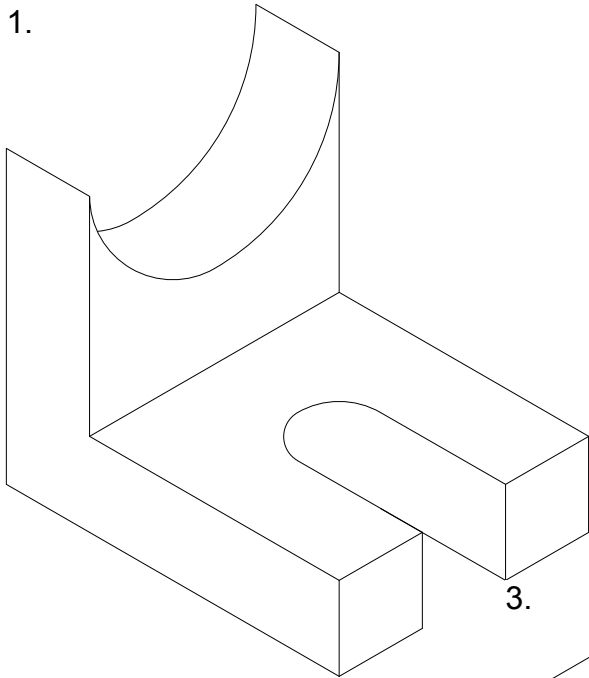
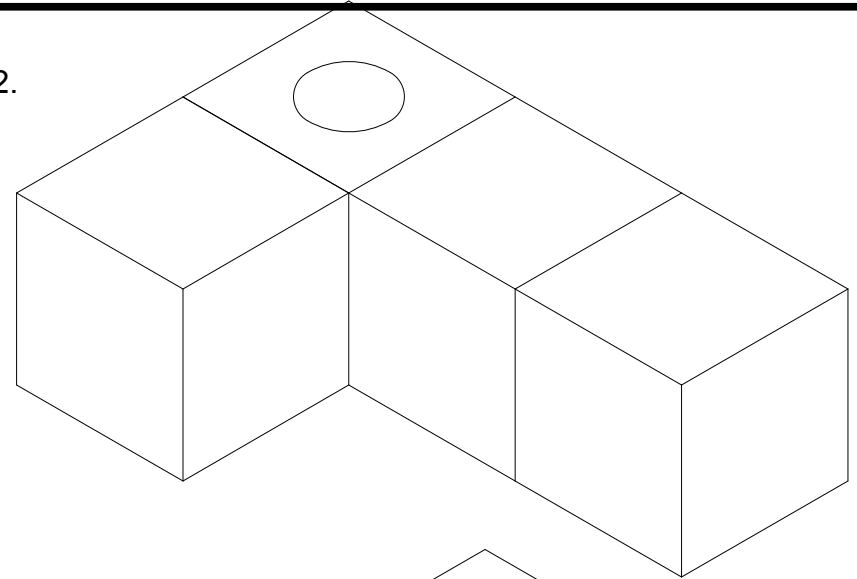


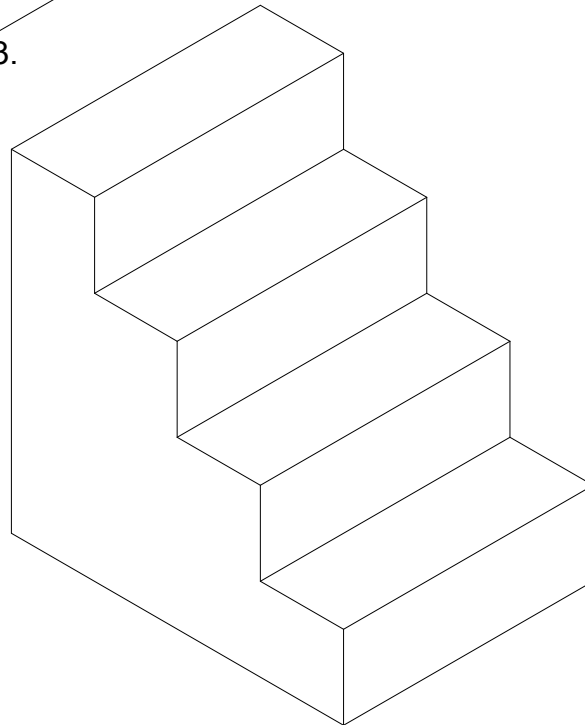
1.



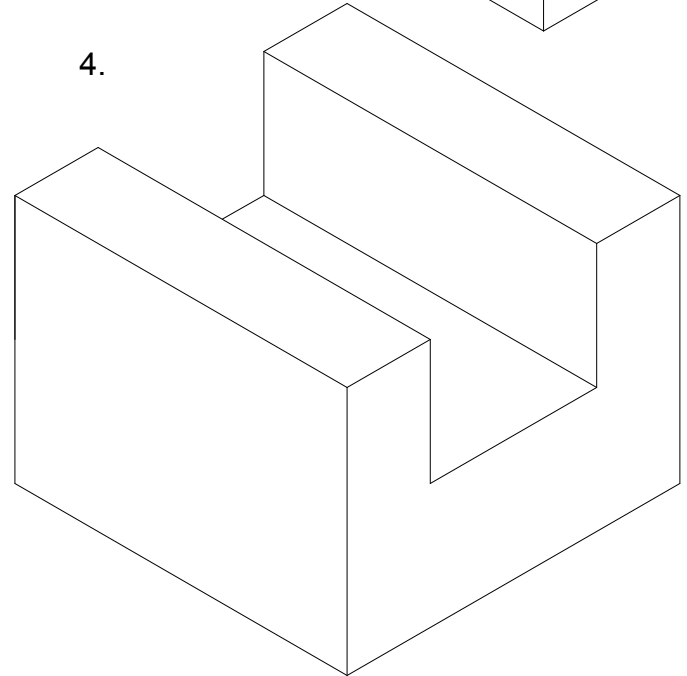
2.



3.



4.



**STEVENSON HIGH SCHOOL**  
 TECHNOLOGY EDUCATION DEPARTMENT  
 TECHNICAL DRAWING PROGRAM

DRN BY: simon Straub

DATE: 10/28/11

SCALE: 1:1

1

1